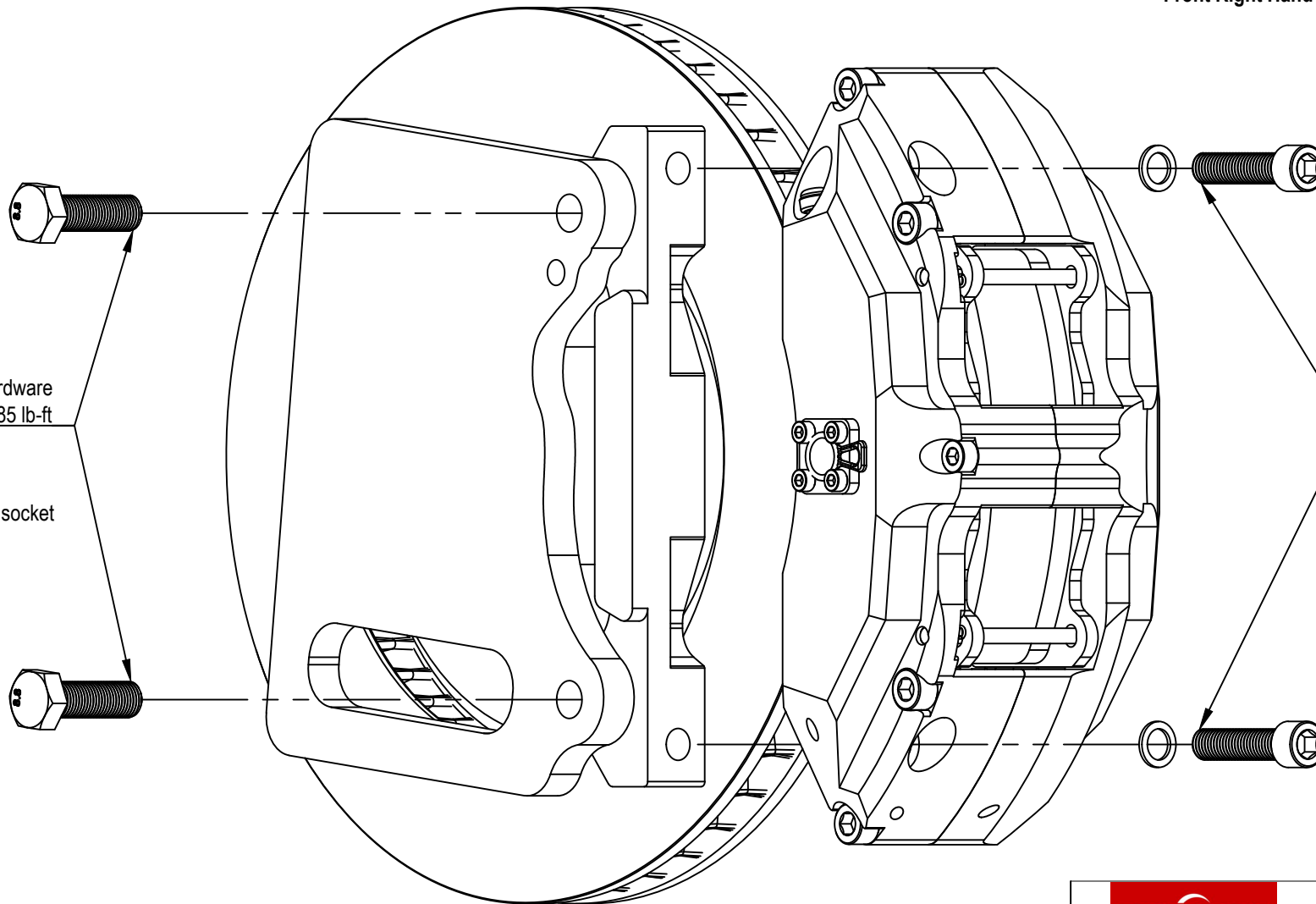


Front Right Hand Shown



OEM Hardware  
115 Nm / 85 lb-ft



18mm socket

Supplied Hardware  
105 Nm / 78 lb-ft



10mm hex bit  
(Allen Key)



[www.powerbrake.co.za](http://www.powerbrake.co.za)  
[www.powerbrakeglobal.com](http://www.powerbrakeglobal.com)

Assembly diagram for bracket orientation and torque specs

DATE:	28-Mar-22
VEHICLE:	Ford Ranger 2.3T ('19-on) / BRONCO ('21-on)
KIT:	X6M / 350x34mm Stage-1
PLATFORM CODE:	FUS05F

Observe required torque specifications using an appropriate torque wrench / Do not use thread lockers on caliper mounting bolts

<b>Brake Pad Replacement Part Numbers</b>	
<b>Manufacturer</b>	<b>Part #</b>
FMSI	D1116
Powerbrake PB01	5001-PB01
Powerbrake PB05	5001-PB05
Endless	RCP112xx
G-Loc	GP1365
Bendix Australia	DB1845U
Mintex	MDB3115
Mintex (Alternative)	MDB3116 (lower friction)
Ferodo (Street)	FDB4212 or FDS4212
Ferodo (Race)	FRP3100
Hawk Performance	HB616x:607
Hella Pagid (Street)	8DB 355 019-521
Pagid (Race)	8005
Febi Bilstein	116138
PFC	9195

*xx* Designates manufacturer's friction compound. Select appropriate compound for application.  
 Contact our Sales Office for more info if required.

<b>Spare Part Numbers</b>	
<b>Description</b>	<b>Part #</b>
Disc / Rotor Pair 350X34mm Stage-1	AT480
Caliper Seal Kit *	CSK-xx/xx/xx-O

\* xx/xx/xx refers to the piston sizes of your X-Line caliper - lasered onto the inboard face of caliper body