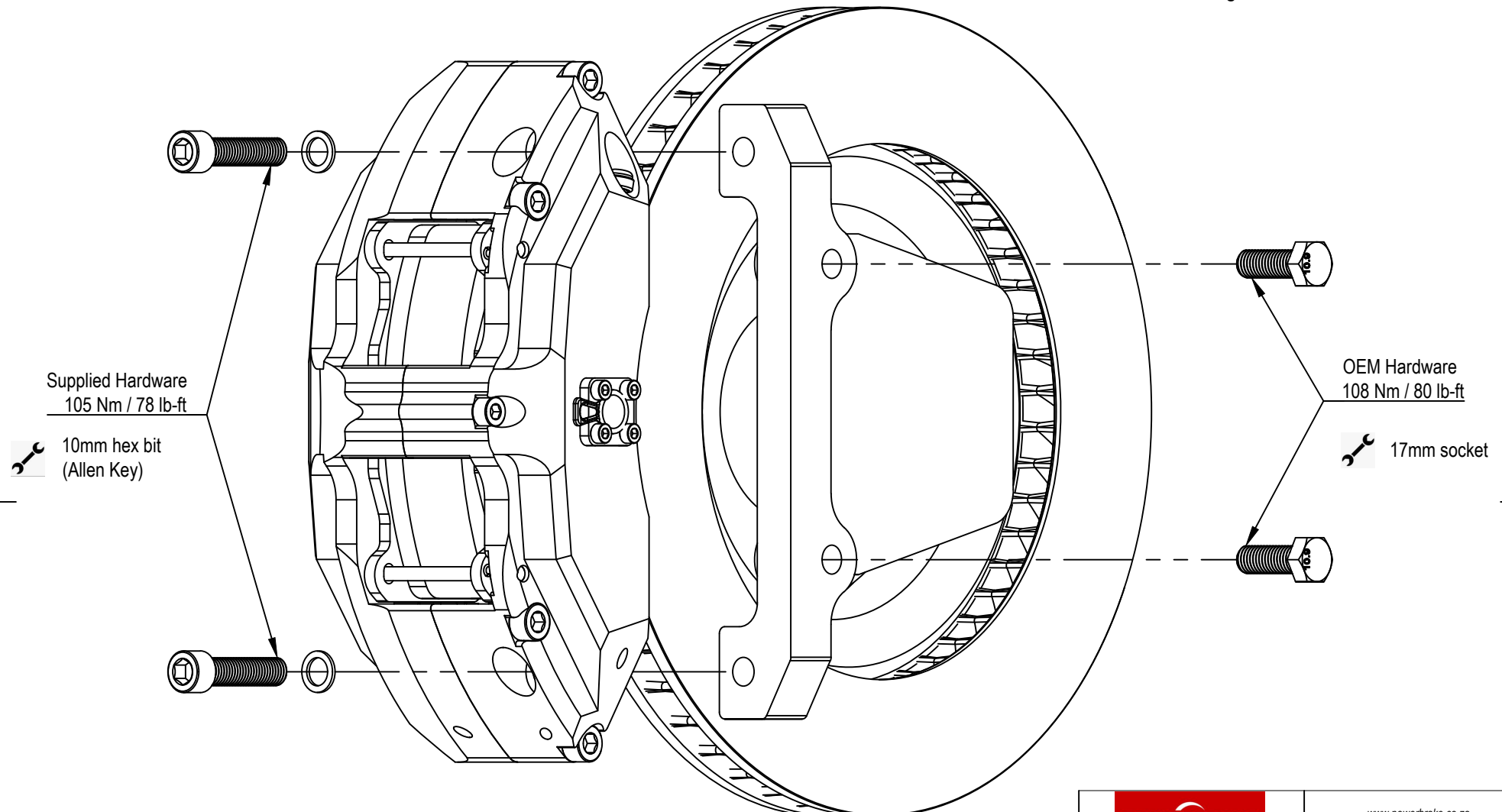


Front Right Hand Shown



www.powerbrake.co.za
www.powerbrakeglobal.com

Assembly diagram for bracket orientation and torque specs

DATE:	2022/04/14
VEHICLE:	Toyota Tundra (Gen 1), 4-Runner (Gen 3)
KIT:	X6M / 350x34mm Stage-1
PLATFORM CODE:	TOY03F

Observe required torque specifications using an appropriate torque wrench / Do not use thread lockers on caliper mounting bolts

Brake Pad Replacement Part Numbers	
Manufacturer	Part #
FMSI	D1116
Powerbrake PB01	5001-PB01
Powerbrake PB05	5001-PB05
Endless	RCP112xx
G-Loc	GP1365
Bendix Australia	DB1845U
Mintex	MDB3115
Mintex (Alternative)	MDB3116 (lower friction)
Ferodo (Street)	FDB4212 or FDS4212
Ferodo (Race)	FRP3100
Hawk Performance	HB616x:607
Hella Pagid (Street)	8DB 355 019-521
Pagid (Race)	8005
Febi Bilstein	116138
PFC	9195

xx Designates manufacturer's friction compound. Select appropriate compound for application.
 Contact our Sales Office for more info if required.

Spare Part Numbers	
Description	Part #
Disc / Rotor Pair 350X34mm Stage-1	AT482
Caliper Seal Kit *	CSK-xx/xx/xx-O

* xx/xx/xx refers to the piston sizes of your X-Line caliper - lasered onto the inboard face of caliper body