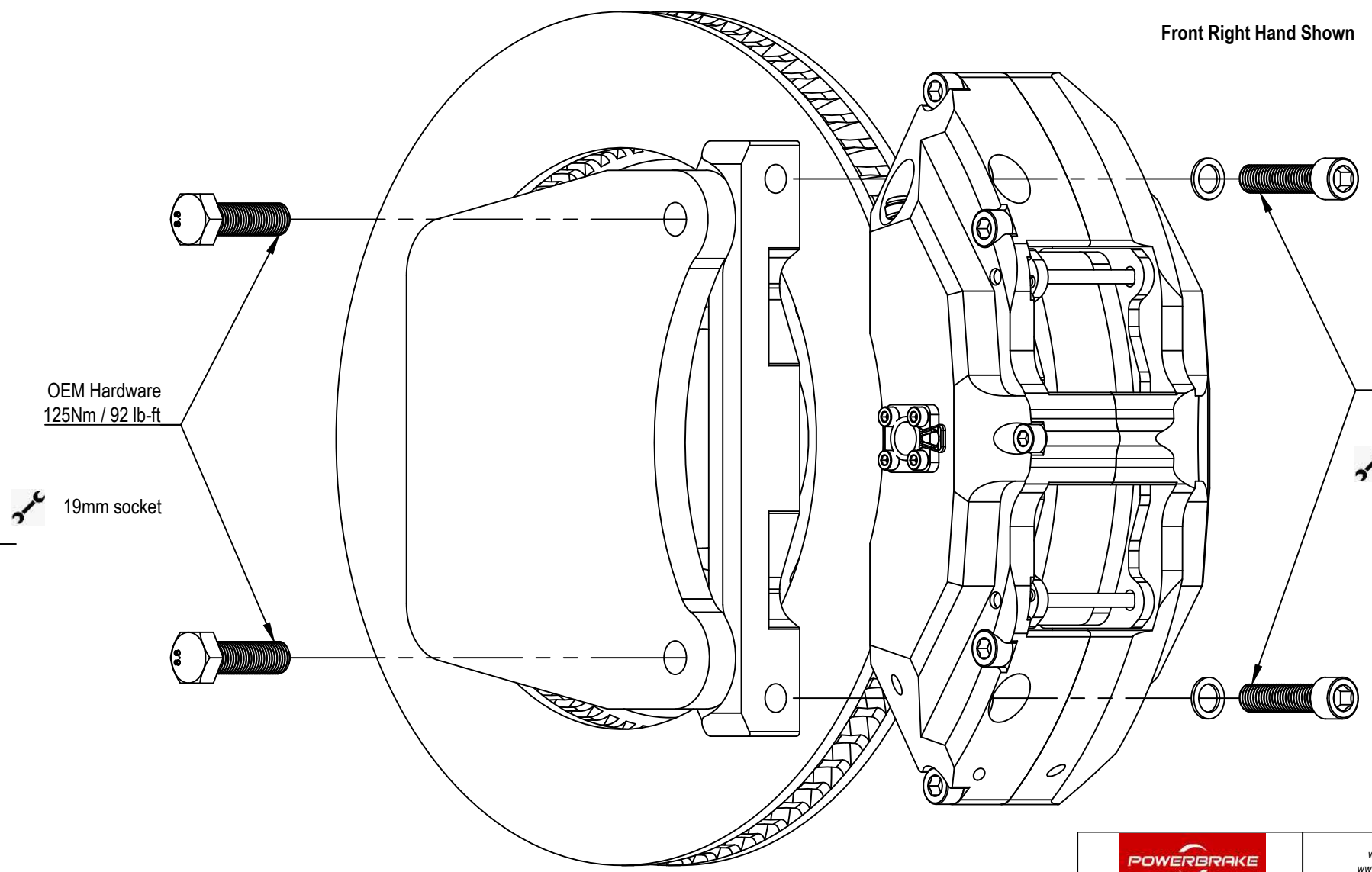


Front Right Hand Shown



OEM Hardware
125Nm / 92 lb-ft

19mm socket

Supplied Hardware
105Nm / 78lb-ft

10mm hex bit
(Allen Key)



www.powerbrake.co.za
www.powerbrakeglobal.com

Assembly diagram for bracket orientation and torque specs

DATE:	2022/03/24
VEHICLE:	Toyota Land Cruiser 200 & Tundra
KIT:	X6L / 370x34mm Stage-2
PLATFORM CODE:	TOY05F

Observe required torque specifications using an appropriate torque wrench / Do not use thread lockers on caliper mounting bolts

Brake Pad Replacement Part Numbers	
Manufacturer	Part #
FMSI	D1116
Powerbrake PB01	5001-PB01
Powerbrake PB05	5001-PB05
Endless	RCP112xx
G-Loc	GP1365
Bendix Australia	DB1845U
Mintex	MDB3115
Mintex (Alternative)	MDB3116 (lower friction)
Ferodo (Street)	FDB4212 or FDS4212
Ferodo (Race)	FRP3100
Hawk Performance	HB616x:607
Hella Pagid (Street)	8DB 355 019-521
Pagid (Race)	8005
Febi Bilstein	116138
PFC	9195

*xx Designates manufacturer's friction compound. Select appropriate compound for application.
Contact our Sales Office for more info if required.*

Spare Part Numbers	
Description	Part #
Disc / Rotor Ring LH	ATM370X34L
Disc / Rotor Ring RH	ATM370X34R
Disc hardware assembly kit (1 kit per ring)	PB501-SF
Caliper Seal Kit *	CSK-xx/xx/xx-O

** xx/xx/xx refers to the piston sizes of your X-Line caliper - lasered onto the inboard face of caliper body*